

ROBUS®

EMERGENCY

CARINA Emergency Downlight 2W, IP20



PRODUCT INFORMATION DOCUMENT

FEATURES

- RCN4STO-01 selectable between Manual Test facility and Self Test facility that fully automates testing and maintenance process and have lumen output, suitable for greater mounting heights
- RCN2ST-01 available in white and black, complete with Open Area (Anti Panic) and Corridor lenses with 150° and 170x50° beam angle and 130mm extension trim to fit bigger cutouts
- LiFePO4 battery technology provides fast charge, a high number of charge/discharge cycles and a 3 hour emergency light output

CONSTRUCTION

- Polycarbonate housing
- High power OSRAM LEDs
- Spring steel spring clips



Product Code:	White	RCN2ST-01	RCN4STO-01
	Black	RCN2ST-04	
Comparable to:		20W halogen	35W halogen
Total Power (W):		2.1	2.4
Total Emergency Light Output (lm):		190	320
Efficacy (lm/cctW):		NA	NA
IP:		20	20
Operation Temperature (°C)		0 ≤ Ta ≤ +40	0 ≤ Ta ≤ +40
Beam angle (deg):		150 and 170/50	120
Emergency Lux at 1m (lux):		25	100
Inrush Current:		25A/1ms	25A/1ms
CCT (K):		6500	6500
CRI:		70	70
RG Value:		0	0
Rated Life to L70B50 (Hrs):		NA	NA
Dimensions ØxH (mm):		75x30	75x30
Cut Out (mm):		60	60
Weight (kg):		0.25	0.25

Product is certified to all the relevant standards.
Please contact our technical department for market specific compliances.

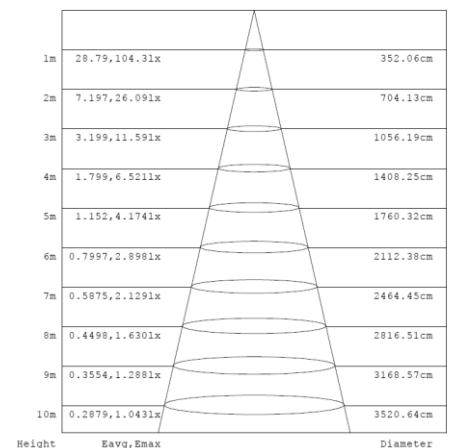
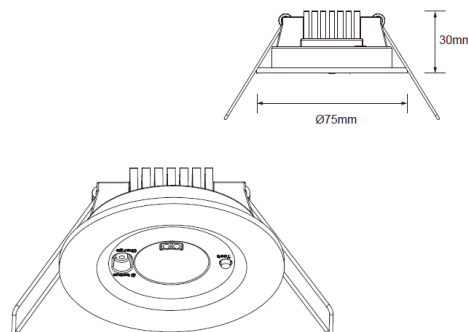


Diagram for RCN4STO-01 in 6500K. Other diagrams available on request

PLEASE NOTE: INFORMATION IN THIS DOCUMENT MAY BE SUBJECT TO CHANGE WITHOUT PRIOR NOTICE

IRE: TEL: +353 1 709 9000
UK: TEL: 0800 973 220
AUS: TEL: +61 7 3890 5444
NZ: TEL: +64 03 668 5285

WEB: ROBUS.COM
WEB: ROBUS.COM
WEB: ROBUS.COM.AU
WEB: ROBUSLED.CO.NZ

LED GROUP EUROPE · AUSTRALIA · NEW ZEALAND · ASIA · MIDDLE EAST · AFRICA